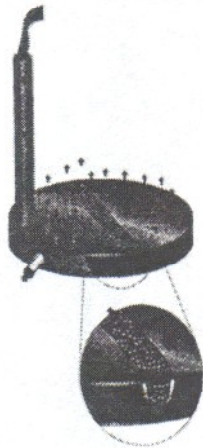


Jardinier Systems



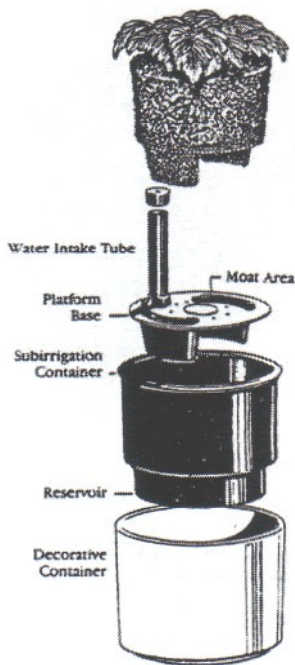
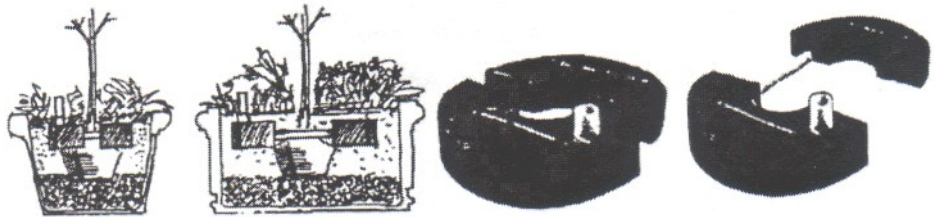
JARDINIER TANK SYSTEMS		
SSC#	Description	Reservoir Water Capacity
CL-6	6" Tank	3/4 Gal.
CL-8	8" Tank	3/4 Gal.
CL-12	12" Tank	1-1/2 Gal.
CL-14	14" Tank	2 Gal.
CL-18	18" Tank	3-1/2 Gal.
CL-24	24" Tank	5-3/4 Gal.
CL-28	28" Tank	9 Gal.
CL-36	36" Tank	14 Gal.
CL-48	48" Tank	33 Gal.
CL-60	60" Tank	50 Gal.
DCL-18	Donut System	5 Gal.
RL-128	12" x 8" x 3"	1-1/4 Gal.
RL-248	24" x 8" x 3"	2-1/4 Gal.
RL-368	36" x 8" x 3"	3-1/2 Gal.
RL-2424	24" x 24" x 3"	7 Gal.
RB-2418	24" x 18" x 3"	6 Gal.
RB-3618	36" x 18" x 3"	11 Gal.

CL-Cylindrical DCL-Donut RL-Rectangle RB-Rootball

SSC#	Description
SSC‡	Soil Separator Cloth
RBC‡	Root Barrier Cloth

‡Recommended for all Tank Systems. Call for details or see installation guide.

- 1 1/4" fill tube and caps not included.
- 6" to 28" Tanks are 3/16" thick and 3" tall.
- 36" Tank is 5/16" thick and 4" tall.
- 48" Tank is 5/16" thick and 4-1/2" tall.
- 60" Tank is 5/16" thick and 5" tall.



JARDINIER SELF-WATERING PLANTERS		
SSC#	Description	Reservoir Water Capacity
JA-6	6" Jardinier Planter	20 Oz.
JA-8S	8" Jardinier Planter	26 Oz.
JA-8T	8" Jardinier Planter	26 Oz.
JA-10	10" Jardinier Planter	48 Oz.
JA-12	12" Jardinier Planter	64 Oz.
JA-14	14" Jardinier Planter	96 Oz.
JA-16	16" Jardinier Planter	132 Oz.
JA-19	19" Jardinier Planter	3.25 Gal.
JD	Jardinier Reservoir Dipstick	
JF	Jardinier Funnel	



Retrofitting Instructions

“Retrofitting” refers to transplanting an interior plant from a conventional container of comparable or slightly larger size, and replacing it in its original position.

Steps in retrofitting plants to Jardinier containers:

- 1 Use the proper potting mix. Subirrigated foliage benefits from “lighter” mixes with larger particles and more air space.
- 2 Remove plant from old container. As much soil as possible should be removed from the root ball, without damaging the roots. This is especially important where the mix tended to stay soggy in the original container.
- 3 Prepare the moats in Jardinier platform. Fill the moat with coarse perlite. (Note: Root separator cloth may be used at this point in order to contain aggressive root systems.)
- 4 New soil base. Lay a base of new soil one inch thick, more if required, over the platform.
- 5 Root ball placement. Place the root ball on the base of soil in the container.
- 6 Complete filling of container. Add additional fresh potting soil around the edges of the rim. Do not pack the soil unless it is initially dry.

CONTAINER MANAGEMENT

IRRIGATION – for typical indoor environment:

- A First water thoroughly from the top, to be sure all the soil has been moistened.
- B Fill the reservoir and begin normal watering frequency (once every two to three weeks).

IRRIGATION – for low light, cool environments, or weak root systems:

- A First water thoroughly from the top, to be sure all the soil has been moistened.
- B Fill the reservoir no more than half full during the first six weeks. Observe weekly, and rewater to half full after reservoir has dried. After six weeks, water normally.

FERTILIZATION

Ornamental plants require relatively little fertilizer indoors. Jardinier foliage requires less than conventional top-watered plants, because no nutrients are lost from the container. In many cases slow release fertilizer granules are visible in the soil when plants arrive. If they are only on the surface, these should be scraped off and discarded. Low rates of fertilizer can be applied as described below, if desired. However if the slow release fertilizer is mixed throughout the soil refrain from fertilizing unless the plant loses color or appears stunted.

- A Soluble fertilizer: for the first irrigation after transplanting, fill reservoir with a soluble fertilizer solution, for example, Peter’s 20-20-20 prepared at one-half teaspoon per gallon. Subsequently irrigate with this solution about each month, or as needed.
- B Slow release fertilizers: Add fertilizer directly to the reservoir after retrofitting. Use one-fourth to one-third the recommended rate for the container size. For example, Osmocote 14-14-14, and a Jardinier 8” container, it should receive about one-half teaspoon of fertilizer.

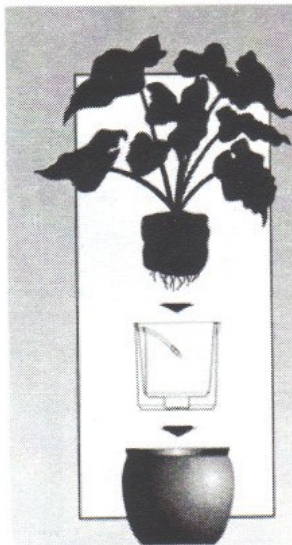
NOTES:

- If repotting and installing on a job for the first time, the plant will draw water up quickly over 7-12 days. It will take a second watering if you have not moistened the soil prior.
- After plant has adapted to its environment, you can expect the watering frequency to be 3-6 weeks in the Jardinier Subirrigation Container.
- When watering, use Jardinier Dipstick to measure water level in reservoir.
- Many landscapers have indicated they are able to listen to determine when reservoir is full when technician is on job to water.

CWI Insert

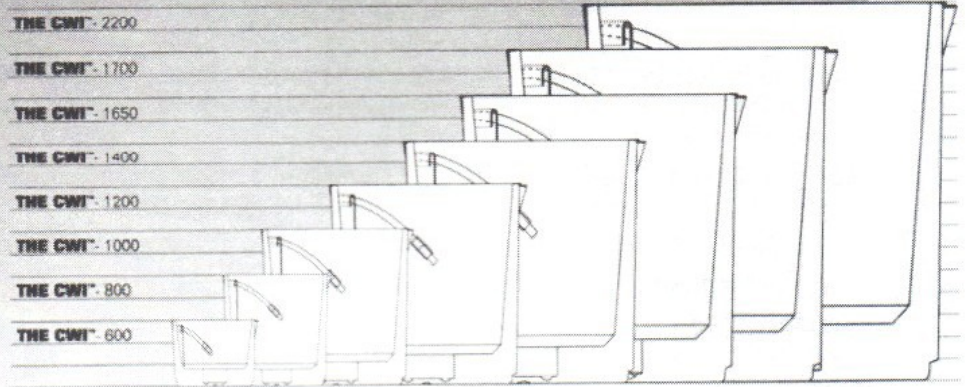


SUB-IRRIGATION PRODUCTS



NOT YOUR AVERAGE LINE-UP.

- THE CWI™- 2200
- THE CWI™- 1700
- THE CWI™- 1650
- THE CWI™- 1400
- THE CWI™- 1200
- THE CWI™- 1000
- THE CWI™- 800
- THE CWI™- 600



How the Controlled Watering System Balances Moisture and Oxygen Levels

When the soil is dry (the plant needs water), the moisture sensor allows air to pass through the tube into the reservoir, allowing water to flow into the container from the bottom. The water wicks through the soil, irrigating the plant.

As the soil becomes moist, the sensor absorbs water. When wet, it acts like a valve, blocking the flow of air through the tube. A vacuum is created above the reservoir, preventing further watering until the soil begins to dry again.



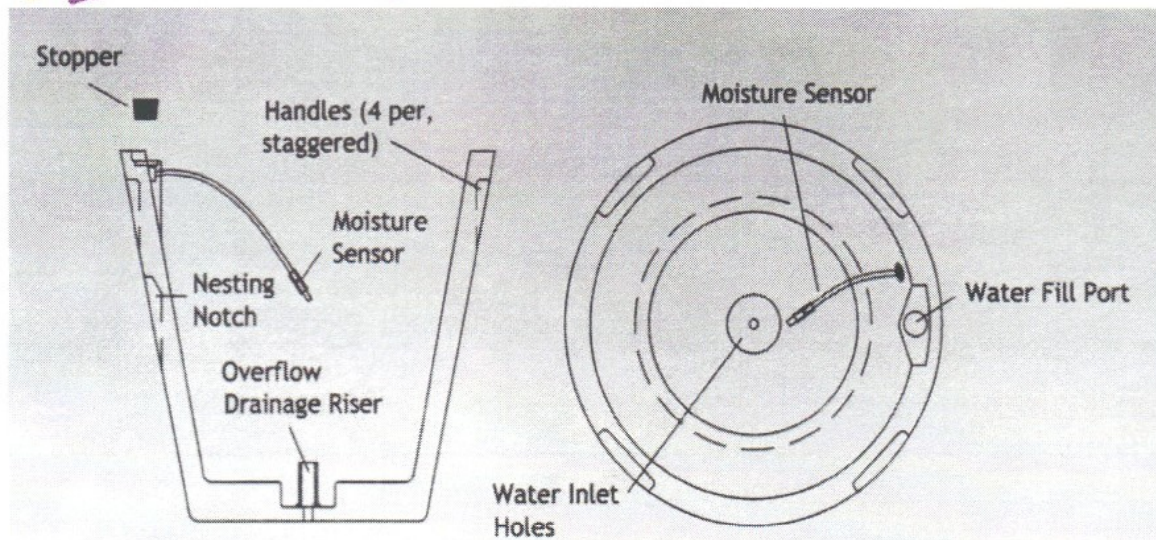
	Outside Dia. Top/Bottom	Inside Dia.	Overall Ht.	Inside Ht	Water Capacity	Case Pack
CWI-600	6.5"/5.25"	5.75"	6"	5"	1.75 Pints	32
CWI-800	9.12"/8.75"	7.5"	7"	6.5"	.6 Gallon	24
CWI-1000	11.25"/9.5"	9.5"	10"	8.75"	1.0 Gallon	16
CWI-1200	12.5"/10.5"	11"	11"	9.5"	1.5 Gallons	12
CWI-1400	15.75"/13.5"	14"	14"	12.75"	2.0 Gallons	6
CWI-1650 <small>NEW</small>	18"/16"	16"	16.5"	15.25"	4 Gallons	3
CWI-1700	18"/17"	17"	18"	17"	4.5 Gallons	3
CWI-2200	23.25"/21"	21.25"	19.75"	18"	8 Gallons	1

CWI™ Accessories

- ▼ **Bioguard Root Control Squares** - A simple way of preventing roots from growing into water reservoir, extending plant life.
- ▼ **HM-10™ Time Release Fertilizer for Sub-Irrigation Systems** - Releases N, P, K, and 10 trace minerals as they are depleted from the water reservoir. Simple to apply, lasts 6 months per application, no root burn!
- ▼ **CWI Field Manuals** - In English or Spanish, available in regular heavy duty paper or laminated for durability in the field.
- ▼ **Funnels** - Inexpensive plastic funnels or high-speed metal funnels for use with all watering cans.
- ▼ **CWI Spare Parts** - Spare stoppers, sensors and grommets for use with all CWI sizes.

CWI INSERTS

Product	Case Pack	Part #
CWI	32	CWI-600
CWI	32	CWI-750
CWI	24	CWI-800
CWI	16	CWI-1000
CWI	12	CWI-1200
CWI	6	CWI-1400
CWI	3	CWI-1650
CWI	3	CWI-1700
CWI	1	CWI-2200



How the CWI Classic Works

The CWI Classic reservoir is filled by hand every 2-3 weeks. The fill hole is closed with a stopper, creating a vacuum-tight closed reservoir.

When the soil is dry (indicating the plant needs water), the moisture sensor allows air to pass through the tube into the reservoir, allowing water to flow into the container from the bottom. The water wicks up through the soil, irrigating the plant.

As the soil becomes moist, the sensor (planted in the soil 1/3 to 1/2-way down the container) absorbs water. When wet, it acts like a valve, blocking the flow of air through the tube. A vacuum is created above the reservoir, preventing further watering until the soil begins to dry again.

The overflow drainage adapter allows excess water that builds up (typically rainwater) to escape without disrupting the system. Underplantings, after a short acclimation period, typically may be watered on the same cycle as the primary plant.

	Outside Dia. Top/Bottom	Inside Dia. Top/Bottom	Overall Ht.	Inside Ht.	Water Capacity	Container Size	Case Pack
CWC-1500	16.5"/10.5"	15"/8.5"	15"	13.5"	2.25 Gallons	29",22" O. Dia.	4
CWC-1800	20.75"/14.5"	18"/11.5"	19"	17"	6.0 Gallons	24" O. Dia.	3
CWC-2100	23.25"/13"	20.5"/12"	21.5"	19"	9.0 Gallons	26",28" O. Dia.	2
NEW! CWC-2400	26"/15"	24"/13"	21"	18.75"	8.0 Gallons	28",30" O. Dia.	2
CWC-2500	27.25"/17.5"	24.5"/15"	25"	22.5"	12.8 Gallons	30",33" O. Dia.	2
CWC-2800	31"/19"	28.5"/17"	30"	28"	15 Gallons	36" O. Dia.	1

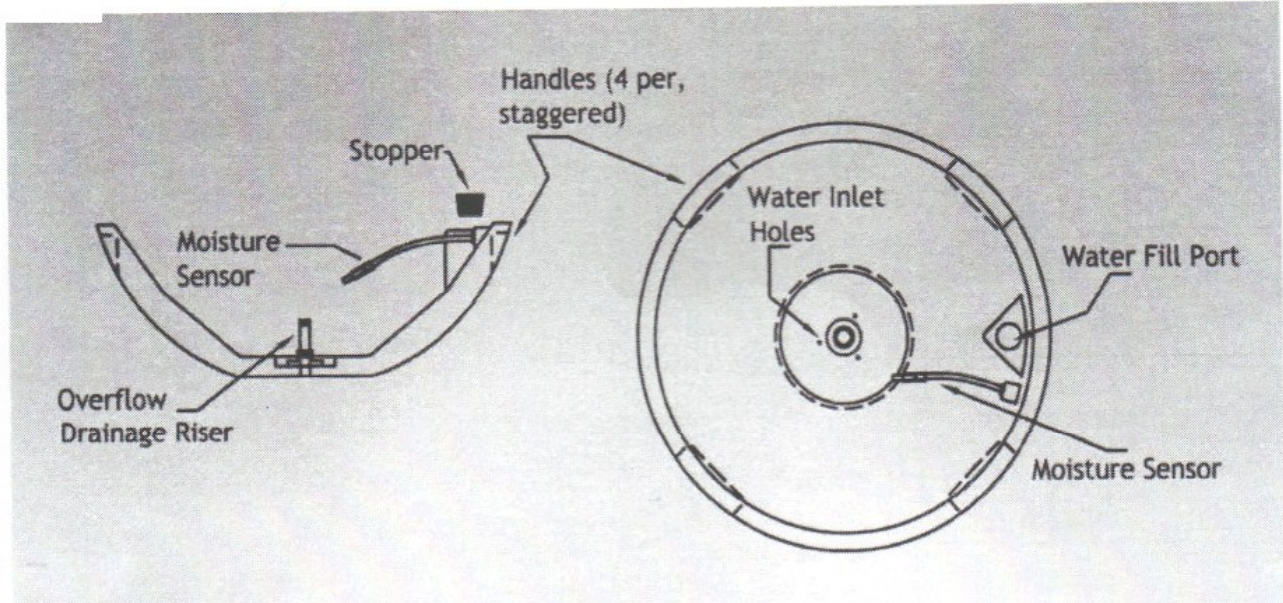
CWI™ Classic Accessories

- ▼ **Bioguard Root Control Squares** - A simple way of preventing roots from growing into water reservoir, extending plant life.
- ▼ **HM-10™ Time Release Fertilizer for Sub-Irrigation Systems** - Releases N, P, K, and 10 trace minerals as they are depleted from the water reservoir. Simple to apply, lasts 6 months per application, no root burn!
- ▼ **CWI Classic Field Manuals** - In English or Spanish.
- ▼ **CWI Spare Parts** - Spare stoppers, sensors and grommets for use with all CWI sizes.

CWI CLASSIC		
Product	Case Pack	Part #
CWI CLASSIC	4	CWC-1300
CWI CLASSIC	4	CWC-1500
CWI CLASSIC	3	CWC-1800
CWI CLASSIC	2	CWC-2100
CWI CLASSIC	2	CWC-2400
CWI CLASSIC	2	CWC-2500
CWI CLASSIC	1	CWC-2800
CWI CLASSIC	1	CWC-3300



CWF Flower Bowl



How the CWF Flower Bowl Works

The CWF vacuum-sensor reservoir surrounds the planting area, and needs to be filled by hand every 1-2 weeks. The fill hole is plugged with a stopper, creating an airtight reservoir.

When the soil is dry (indicating the flowers or plants needs water), the moisture sensor allows air to pass through the clear tube into the reservoir, allowing water to flow into the container from the holes in the bottom. The water wicks up through the soil, irrigating the plants.

As the soil becomes moist, the sensor (typically planted 1/3-way down the container) absorbs water. When wet, it acts like a valve, blocking the flow of air through the tube. A vacuum is created above the reservoir, preventing further watering until the soil dries again.

The overflow drainage adapter allows excess water that builds up (typically rainwater) to escape without disrupting the system. Some watering-in may be initially necessary (especially with "liners" or "six-packs") to encourage root development into the surrounding soil.



	Outside Diam.	Outside Ht.	Inside Diam.	Inside Ht.	Water Capacity	Empty Weight
CWF-1706	17"	6.5"	15.25"	5.5"	1.2 Gallons	2.5 lbs.
CWF-2107	21"	7.5"	19.25"	6.5"	2.0 Gallons	4 lbs.
CWF-2508	25"	8.25"	23.25"	7.25"	3.0 Gallons	5 lbs.
CWF-2909	29"	9.25"	27"	8.25"	4.0 Gallons	7 lbs.
CWF-3410	34"	10.5"	32"	9.25"	5.5 Gallons	10 lbs.

CWF™ Flower Bowl Accessories

- ▼ **Bioguard Root Control Squares** - Fabric squares treated with chemical root block to prevent plants & flowers from growing into the reservoir.
- ▼ **HM-10™ Time Release Fertilizer for Sub-Irrigation Systems** - Releases N, P, K, and 10 trace minerals as they are depleted from the water reservoir. Simple to apply, long lasting, and no overfertilization problems.
- ▼ **CWF Field Manuals** - In English or Spanish.
- ▼ **CWF Spare Parts** - Spare stoppers, sensors and grommets for use with CWF container irrigation products.

CWF FLOWER BOWL		
Product	Case Pack	Part #
CWF FLOWER BOWL	4	CWF-1706
CWF FLOWER BOWL	4	CWF-2107
CWF FLOWER BOWL	4	CWF-2508
CWF FLOWER BOWL	4	CWF-2909
CWF FLOWER BOWL	4	CWF-3410

CWM Modular

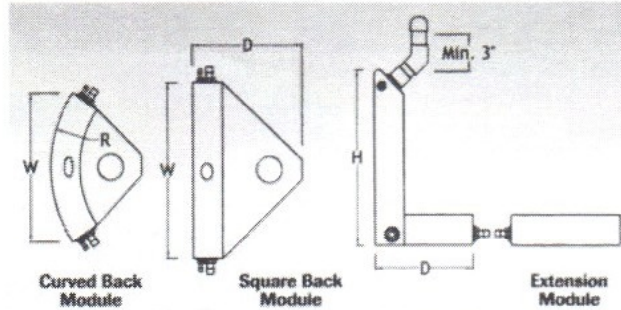
Specifying CWM Container Irrigation

Model Size Configuration Code

CWM-1720-M

See Chart Below

M = Fill Module
S = Sensor Module
X = Secondary Module
MS = Solo Unit
 Add "E" to any unit to add Extension Connection to front



	W	R	H	D	Water Capacity	Planter Interior Height	Planter Interior Radius
Curved Back Modules	CWM-1109	11"	9"	9"	7.5"	1.0 gal.	12"-17"
	CWM-1114	11"	9"	14"	7.5"	1.5 gal.	17"-24"
	CWM-1714	17"	15"	14"	10 7/8"	3.5 gal.	17"-24"
	CWM-1720	17"	15"	20"	11 5/8"	4.5 gal.	24"-36"
	CWM-2914	29"	26"	14"	18.5"	7.5 gal.	17"-24"
	CWM-2920	29"	26"	20"	18.5"	9.5 gal.	24"-36"
Square Back Modules	CWM-R1109	11"	--	9"	8.75"	1.5 gal.	12"-17"
	CWM-R1114	11"	--	14"	8.75"	2.1 gal.	17"-24"
	CWM-R2014	20"	--	14"	12.88"	5.0 gal.	17"-24"
	CWM-R2020	20"	--	20"	12.88"	6.9 gal.	24"-36"
	CWM-R2914	29"	--	14"	18.5"	9.0 gal.	17"-24"
	CWM-R2920	29"	--	20"	18.5"	11.5 gal.	24"-36"
Extension Module	CWM-E2400	24"	12"	3.5"	6.5 gal.		

Specifications subject to change without notice.

Specification Guidelines

- Each system needs one fill module and one sensor module. Solo units incorporate both fill and sensor (use the configuration code "MS").
- One fill module and one sensor module can support up to 4 secondary modules. For containers where more are required, break into two separate systems.
- Modules in system must be the same height. Otherwise shapes and sizes may be mixed where needed.

For detailed support on your particular application, turn to the experts at Planter Technology. We specialize in the complete solution to your container irrigation needs. Included with each system are complete instructions detailing installation and maintenance requirements.

Connections & Installation Accessories

- BPVC-38** Reinforced tubing for upper connections
- BPVC-75** Reinforced tubing for lower connections
- AC-38** Acetal quick-snap clamps for upper connections
- AC-75** Acetal quick-snap clamps for lower connections
- F-3890** Plastic elbow connector for upper connection
- F-7590** Plastic elbow connector for lower connection
- BG25P** BioGuard fabric to keep roots from growing into reservoir. One per "cup"
- P-38** Plug for end units - upper connection
- P-75** Plug for end units - lower connection

CWM MODULAR

Part #	Part #	Part #
CWM-1109-3K	CWM-1720-4K	CWM-R1109-4K
CWM-1109-4K	CWM-1720-5K	CWM-R1114-4K
CWM-1114-3K	CWM-2914-3K	CWM-R2014-4K
CWM-1114-4K	CWM-2914-4K	CWM-R2020-4K
CWM-1714-3K	CWM-2914-5K	CWM-R2914-4K
CWM-1714-4K	CWM-2920-3K	CWM-R2920-4K
CWM-1714-5K	CWM-2920-4K	
CWM-1720-3K	CWM-2920-5K	



Planter Technology Accessories

SUB-IRRIGATION PRODUCTS

PLANTER TECHNOLOGY

SSC#	Description
C-P	Peplacement Sensors, (Specify planter size.) Pack of 6
GRP	Replacement grommets, set of 12
STCWIP	Replacement Stoppers, set of 12

BIOGUARD SQUARES

Item	Description
Bioguard Squares	25 Squares / Package

Bioguard Squares made for Planter Technology by Reemay Corp.

Set at the bottom of the planter to prevent roots from clogging the inlet disc. Use one for each inlet disc. Simple to use! • No additional discs or fabric required. • Long lasting • Won't wear out, break down or decompose. Especially important for aggressive rooted plants (Ficus Benjamina, Raphis Palm, etc.).

Retro Risers & Capillary Mat

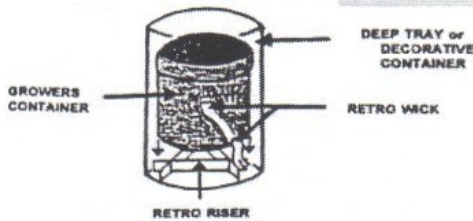
CAPILLARY MAT

Item	Description
CAPMAT	30' X 8.5"

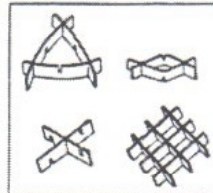
Provides bottom watering for any plant. Easily cut to many sizes, ideal for rectangular planters.

RETRO RISERS

IS #	Description	No. per Case
RRMINI	1" Mini Retro Riser	100
RR0001	1" Retro Riser	100
RR0015	1-1/2" Retro Riser	100
RR0020	2" Retro Riser	100
RRJ001	Retro Jammer	n/a
RRRW01	Retro wick. (roll) 2" X 60'	n/a



Retro riser supports the plant above the water line so the plant can take up water with the wick as needed.



AN UNLIMITED NUMBER OF SUPPORTS CAN BE MADE

Retro Risers — A unique cost-effective way to retro fit existing accounts to sub-irrigation using slotted risers and wicks. Retro Risers ingeniously apply a simple interlocking design in a building block to

fit your container. The correct size is the additional height needed to bring the top surface of the plant container near the top of the decorative container. The capillary retro wick is inserted upward at a 45 degree angle through the drainage hole of the growers container. More than 1 wick maybe needed for plants in high light situations or with plants that use excessive water. The wick must be moist to pull water up from the reservoir.

DRI-WATER – Time Release Water

- Save Water
- Save Time
- Save Plants

Simply Apply to Moist Soil



Waters plants for 30 days!

DriWater gel is 98% water, 2% food grade ingredients and 100% natural. As the gel converts to liquid, capillary action carries and maintains moisture throughout the root zone.

DRIWATER

SSC#	Description	Case Pack
60013-C	2" Gel Pac	70
60012-C	2" Gel Pac	40
63001-8	3" Gel Pac	18
93001-9	3" Gel Pac & Tube	15

Perfect for hanging and hard to reach plants. Ideal for poinsettias and all blooming plants.

2" GEL PAC USAGE

Container size	# Gel Pacs
6"	1-2
8"	2
10"	2-3
12"	3-4
14"	4-5
16"	5-6
18"	6-8
20"	6-8

3" GEL PAC USAGE

Container size	# Gel Pacs	# Gel Pacs With Tube
24"	2	2-3
26"	2-3	3-4
28"	3-4	4
30"	4-5	4-5
32"	5-6	4-5



Sub-Irrigation Systems

LIST PRICES **

ROUND TANKS

SSC#		LIST Price
CL-6		\$55.44
CL-8		\$75.60
CL-12		\$109.20
CL-14		\$127.68
CL-18		\$151.20
CL-24		\$184.80
CL-28		\$210.00
CL-36		\$588.00
CL-48		\$840.00
CL-60		\$1,327.20

Donut Tank

SSC#		LIST Price
DCL-18		\$168.00

Self-Watering Planters

SSC#		LIST Price
JA-6		\$7.39
*JA-8S		\$11.76
JA-8T		\$11.76
JA-10		\$16.80
JA-12		\$23.52
JA-14		\$26.88
JA-16		\$39.48
JA-19		\$75.60

*Special Order Only. Minimum 1000 pieces.

Jardinier Systems Rectangular Tank

SSC#		LIST Price
RL-128		\$60.48
RL-248		\$100.80
RL-368		\$141.12
RL-2424		\$168.00
RB-2418		\$268.80
RB-3618		\$319.20
RLL-128		\$73.92
RLL-248		\$107.52
RLL-368		\$141.12

Tank Accessories

SSC#		LIST Price
SSC		\$4.00 / SQ.FT.
RBC		\$8.00 / SQ.FT.

Self-Watering Accessories

SSC#		LIST Price
JD		\$4.89
JF		\$2.35



Planter Technology

CWI Inserts

SSC#		LIST Price
CWI-600		\$26.78
CWI-750		\$26.78
CWI-800		\$22.58
CWI- 1000		\$30.98
CWI- 1200		\$46.73
CWI-1400		\$58.28
CWI-1650		\$136.50
CWI- 1700		\$148.05
CW I-2200		\$231.00

CWI Accessories

SSC#		LIST Price
C-P		\$15.23
GRP		\$15.23
STCWIP		\$15.23
BG25P		\$51.45

Retro Risers

SSC#		LIST Price
RRMINI		\$79.80
RR0001		\$138.60
RR0015		\$157.50
RR0020		\$178.50

Retro Risers & Capillary Mat

Capillary Mats and Accessories

SSC#		LIST Price
CAPMAT		\$47.25
RRRWO1		\$49.35
RRJ001		\$9.45

DriWater - Time Released Irrigation

SSC#	# Per Case		LIST Price PER CASE		LIST PER PALLET
60012-C	40		\$93.45		\$100.80
60013-C	70		\$153.30		\$94.50

LIST PRICES ** See "discount Schedule" or contact us for quote.